

IMPORTANT MIXER ORDER INFORMATION

Complete 1 sheet for each mixer or for each group of identical mixers ordered.

QUANTITY _____ MODEL NO. _____

S20-H-A

CUSTOMER INFORMATION:

Customer Name: _____ P.O. No. _____
 Jobsite: _____ Tank or Tag No. _____

Diameter of Tank _____ Amount of Barrels: _____

PROCESS INFORMATION:

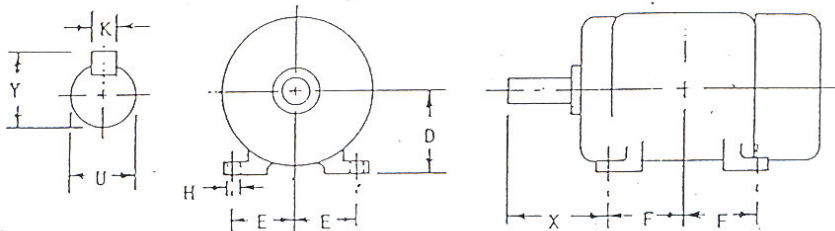
Fluid to be mixed -				Final Blend
Specific gravity -				
Viscosity at blend temp -				

MOTOR INFORMATION:

Motor supplied by: JENSEN - Complete items 1, 3, 4, 5, 6, and 9
 CUSTOMER - Complete items 1, 2, 3, 4, 7, 8 and 10

1. Horsepower: _____ 2. R.P.M. _____ 3. Phase: _____ 4. Cycle _____
 5. Voltage: _____ 6. Enclosure: _____
 7. Frame Number: _____ 8. Motor Manufacturer: _____
 9. Specials (Space Heaters, Insulation Class, etc.): _____

10. Dimensions:



D	E	F	H	K	U	X	Y

Inches
Millimeters

COVERPLATE INFORMATION:

Complete only if mixer is VARI-ANGLE model or fixed angle to be furnished with coverplate.

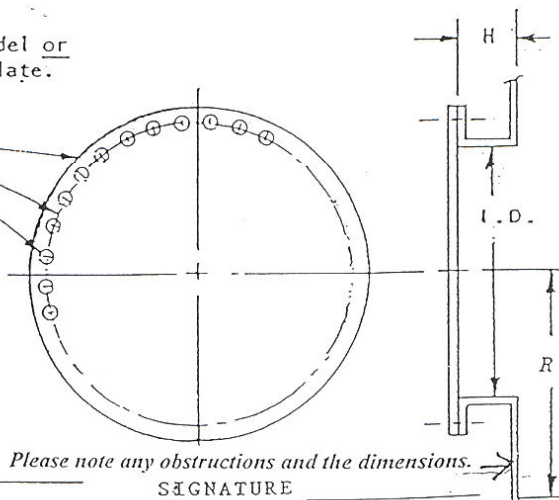
Plate Thickness _____
 Outside Diameter _____
 Bolt Circle Diameter _____
 Bolt Hole Size _____
 Number of Holes _____
 Top bolt hole location in relation to vertical centerline:

- Straddle Vertical Centerline
- On Vertical Centerline
- Top Hole _____ Right of Vertical Centerline.

H = _____

I.D. = Inside diameter of Manway _____ *Please note any obstructions and the dimensions.*

R = Center Line Manway to Tank Bottom _____



SIGNATURE _____
DATE _____

Jensen International Inc.
 P.O. BOX 45368 / TULSA, OKLAHOMA 74145 / U.S.A.

IMPORTANT MIXER ORDER INFORMATION

1 of 1
S20-H-4